



USER MANUAL
ROBOTIC POOL FLOOR CLEANER
WY450

**READ AND KEEP THESE INSTRUCTIONS FOR FUTURE
REFERENCE**

Thank you for purchasing WYBOT Robotic Pool Cleaner. If you have any question or issue, please contact us for customer service.

Important tips:

- 1. When the cleaner is placed on shore or is taken out from the pool, please make sure to turn off the power supply, otherwise it will easily cause serious damage to the cleaner.**
- 2. The power cord of the cleaner must be plugged into the socket with leakage protection device. No one is allowed to enter the swimming pool when the cleaner is working, so as to avoid danger and injury.**
- 3. When putting the cleaner into the swimming pool or take it out from the swimming pool, you must hold the handle. Do not pull the cable. Before starting the cleaner every time, exhaust the gas in the machine as much as possible (there is no bubbles or the machine completely sinks to the bottom of the pool), so as to avoid the gas affecting the normal operation of the cleaner.**
- 4. Before starting the cleaner, the filter screen must be installed, and at the same time, it must be confirmed that the cable is completely relaxed, so as to avoid cable entanglement during work, which will affect the cleaning effect of the cleaner. In serious cases, it may cause damage to the cleaner.**
- 5. Clean the filter box in time after each use of the cleaner, so as not to affect the work of the cleaner due to excessive dirt in the filter box.**
- 6. When the cleaner is not in use, please store the cleaner in a cool and ventilated place indoors. Avoid direct sunlight.**
- 7. When the cleaner is working, the power supply control box should be placed in the shade. Do not place or cover anything on the power supply control box to prevent damage to the internal electrical components due to overheating.**

8. Non-professionals shall not disassemble the main machine body of the cleaner and the power supply control box at will, to avoid danger or avoid damage to the cleaner.

9. To prevent accidents, it is recommended that the power supply box should be connected to the fixtures beside the pool with safety ropes before use.

10. It is strictly forbidden to use this machine outside its operating conditions. Please read this user manual carefully before using the machine.

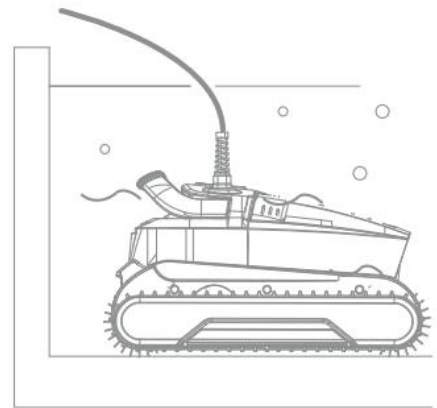
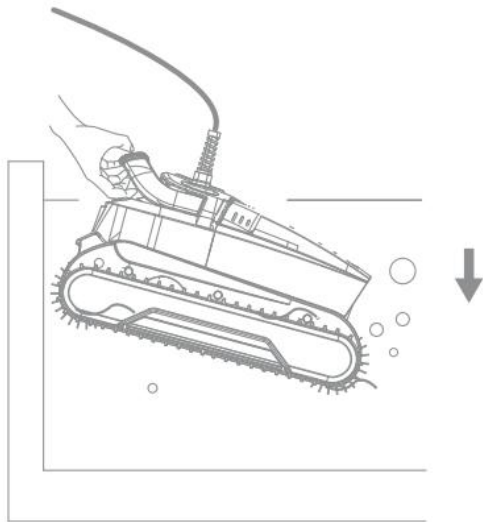
11. For the cleaning in different seasons, the filter screens with different density can be changed. Please contact the agent to buy filter screen with different density.

12. Ensure that the PH value of the water of the swimming pool is 7.0-7.2.

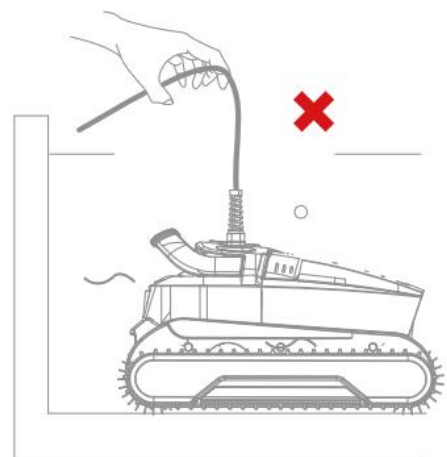
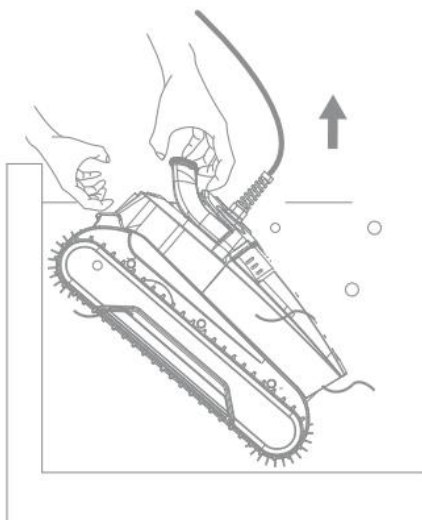
13. It is forbidden to put water treatment chemicals into the machine, to use the machine for chemical distributing. If the machine is damaged for this reason, the manufacturer is not responsible for the warranty.

Attention:

1. When putting the cleaner into the swimming pool, the bottom of the cleaner shall face the pool wall, hold the handle and put the cleaner into the water. And the cleaner will slowly discharge the gas (the gas in the cleaner must be completely discharged, otherwise it will affect the normal operation of the machine). Make the machine naturally sinks to the bottom of the pool.



2. When taking out the cleaner from the pool, you only can hold the handle, do not pull the cable.



Contents

| | |
|---|---|
| I. Brief introduction to product | 1 |
| II. Safety: | 1 |
| III. Specifications and parameters: | 2 |
| IV. Operating instructions | 3 |
| V. Acquisition of mobile App and connection | 7 |
| VI. Packing details | 8 |

I. Brief introduction to product

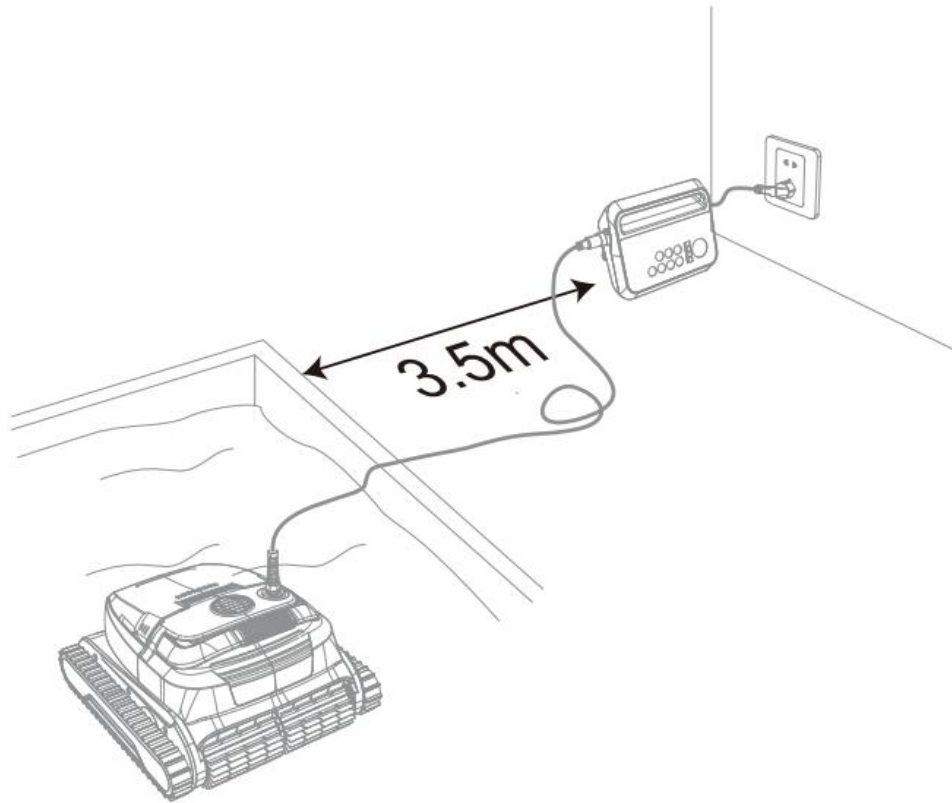
WY450 is a high-end series product, which integrates the most advanced technology of swimming pool cleaning robot, including sensor integration, intelligent path planning, self-adaption to swimming pool, super obstacle-surmounting capacity, high-efficiency dirt suction and high-precision filtration, remote control and upgrade functions. It is suitable for large/medium swimming pools. The machine has strong climbing function and can work flexibly in swimming pools made of PVC, ceramic tiles, cement and other materials. The machine is equipped with 3-motor drive system, it can easily solve the problem of line winding. The machine has a secondary filtration system, which can absorb fine dust. The machine is equipped with high-precision gyroscope, infrared and depth sensor, and it adopts multi-sensor integration algorithm. It can provide the optimal path planning according to the shape and size of the swimming pool to achieve efficient and high-quality cleaning effect.

The cleaner is powered by low-voltage DC 28V power supply, it has high safety and reliability.

Before using this product, please read the manual carefully so that you can use this machine correctly.

II. Safety:

The power supply control box must be placed in a suitable position to ensure that the cleaner can reach every corner of the swimming pool. At the same time, the position of the power supply control box should not be less than 3.5 meters from the edges of the swimming pool.



III. Specifications and parameters

1. Input rated voltage: 100~240VAC

Frequency: 50Hz/60Hz

Output voltage: DC (direct current) 28V

2. Power of the power supply: MAX 200W; Power of the machine: 170W

3. Working time: 1 hour /2 hours /3 hours

4. Working mode: four modes, pool bottom/pool wall/whole pool/waterline

5. Flow rate: about 18m³/ h.

6. Filtration capacity: 180μm(Nylon) + 5μm(HEPA)

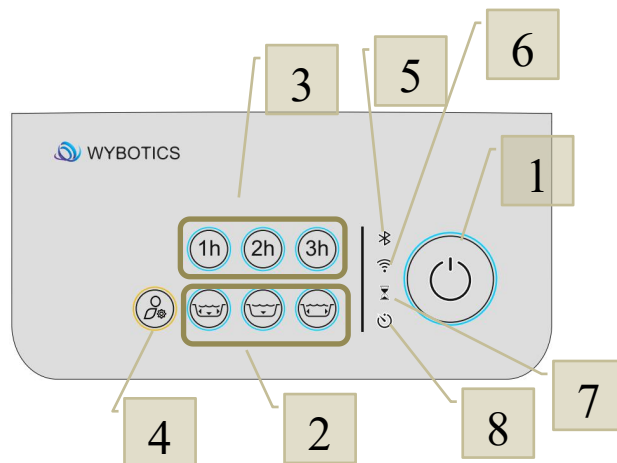
7. Creeping speed: about 13m/min

8. Waterproof rating: cleaner IPX8; Power supply box: IP65

9. APP for operation.

10. Working environment temperature: 0~+40°C.

IV. Operating instructions



1. Description of buttons and indicator lights

| No. | Description of functions | Description |
|-----|--|---|
| 1 | Power supply button with backlight indication | Button: press it long (3S): start-up/shutdown. Press it short: (after startup) starting/stop Backlight indication Standby: blue, always on Automatic operation: blue, breathing Manual status: green, always on Manual operation: green, breathing Return waterline: yellow, breathing Fault: red, flashing |
| 2 | Buttons for cleaning mode (all with backlight) | The functions of the buttons are as follows in turn: whole pool cleaning mode, pool bottom cleaning mode and pool wall cleaning mode; combination cleaning mode and waterline cleaning mode need to be operated through APP; Backlight indication of buttons: the backlight indicator light of the corresponding mode is on, such as whole pool cleaning mode, pool bottom cleaning mode and pool wall cleaning mode; Combination cleaning mode: the combination of backlight indicator lights of pool bottom cleaning mode button+ pool wall cleaning mode button is on; Waterline cleaning mode: the combination of the backlight indicator lights of the whole pool cleaning mode button+ the pool wall cleaning mode button is on; |
| 3 | Timing buttons (all with backlight) | They are in turn: 1H timing button, 2H timing button and 3H timing button; Backlight: the corresponding timing button indicator light is on. |
| 4 | One-key starting function button | Press it long (3S): Re-connect the network; Press it short: start automatic cleaning through the button, and the cleaning mode and timing are set through APP; the functions which are not set during ex-factory; |
| 5 | Bluetooth state indicator | Blue, flashing: Bluetooth broadcasting status; |

| | | |
|---|---|---|
| | light | Blue, breathing: Bluetooth connection is successful; Light off: Bluetooth is closed; |
| 6 | Wifi state indicator light | Green, flashing: The network connection is in progress. Yellow, flashing: WiFi is configured, but it is not connected to the router; Yellow, always on: WiFi is configured and it is connected to the router; Blue, breathing: successfully connect to the cloud; |
| 7 | Delay startup status indicator light | Blue, always on: delay startup has been set, and the time has not come; Blue, breathing: the time for delay startup comes, and automatic cleaning is started (the mode and timing are the last memory mode and timing); Light off: no delay startup setting; |
| 8 | Weekly reservation startup status indicator light | Blue, always on: weekly reservation has been set, and the startup time has not come; Blue, breathing: the time of weekly reservation for startup comes, and automatic cleaning is started (the mode and timing are the last memory mode and timing); Red, always on: the calendar is not synchronized, and the weekly reservation setting is invalid; Light off: no weekly reservation setting; Through the cloud, you can make separate reservation settings from Monday to Sunday, the time is accurate to o'clock and minutes. |

2. Description of special states:

| State of indicator lights | | Description |
|---|---|--|
| Power supply button backlight blue, breathing | backlight of 3 mode buttons+ backlight of 3 timing mode buttons are always on | Prompt for the end of automatic operation cycle; maintain the state for 10 minutes, then the machine shuts down and the lights go off automatically. |
| Power supply button backlight yellow, breathing | backlight of 3 mode buttons+ backlight of 3 timing mode buttons go off | "Automatic returning waterline" function. The machine automatically runs to the waterline and stops running. And the machine automatically shuts down after it is taken out from the pool; |
| Power supply button backlight red, flashing | The combination of 1H button backlight+ whole pool cleaning button backlight is on. | Fault: water pump motor has overload; |
| | The combination of 2H button | Fault: left travel motor has overload; |

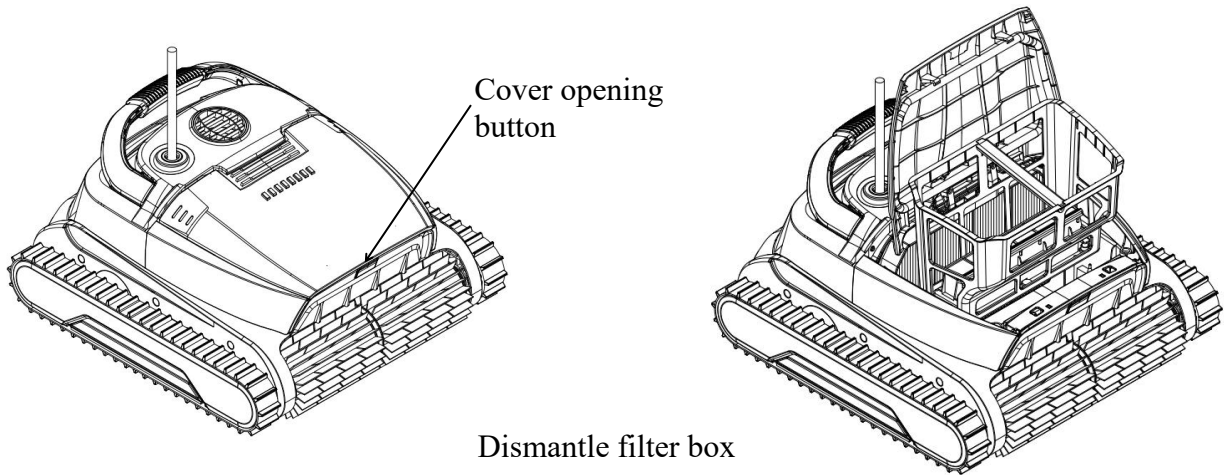
| | | |
|---------------------------------------|---|---|
| | backlight+ pool bottom cleaning button backlight is on. | |
| | The combination of 3H button backlight+ pool wall cleaning button backlight is on. | Fault: right traveling motor has overload; |
| | The combination of 2H button backlight +3H button backlight+ pool bottom cleaning button backlight+ wall cleaning button backlight is on. | Fault: the machine is taken out from water; |
| | The combination of backlight of 3 timing buttons+ backlight of 3 cleaning mode buttons is on | Fault: the power supply has overload; |
| | Faults can be viewed through APP | |
| Power supply button purple, breathing | The combination of 1H button backlight+ backlight of whole pool cleaning button +backlight of pool bottom cleaning button +backlight of wall cleaning button is on. | The OTA upgrade of underwater equipment is in progress. Before the upgrade, it is necessary to connect the underwater machine in advance and turn on the power supply for standby |
| Be irrelevant | The combination of backlight of 3 timing buttons+ backlight of 3 cleaning mode buttons + backlight of one-key starting function button is on | OTA upgrade of power supply is in progress |
| Green, breathing | Only the 1H timing button is on | The sensor calibration of underwater machine gyroscope is in progress; |

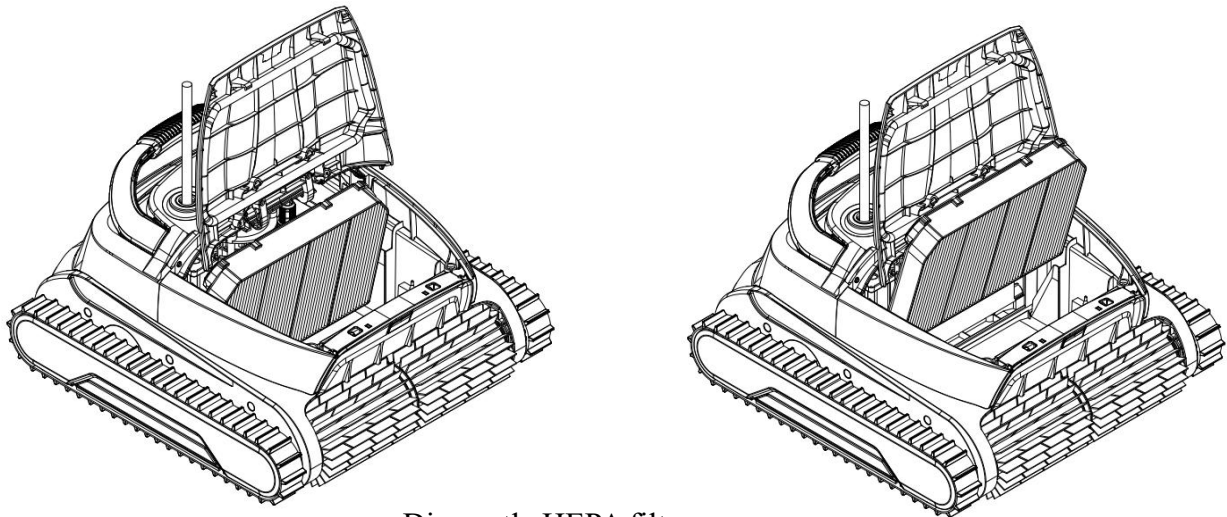
| | | |
|--|--|--|
| | | <p>Prompt: The underwater machine needs to be placed flat on shore, the machine cable is connected to the power supply, and at the same time, press the power supply button+1H timing button for more than 3S, and the buzzer will sound, the machine enters the calibration state. The power supply button has green backlight and gives breathing indication. When the power supply button backlight turns green and is always on, the calibration ends.</p> |
| | <p>Only the 2H timing button is on</p> | <p>The depth sensor calibration of underwater machine is in progress;</p> <p>Prompt: The underwater machine needs to be placed flat on shore, the machine cable is connected to the power supply, and at the same time, press the power supply button+2H timing button for more than 3S, and the buzzer will sound, the machine enters the calibration state. The power supply button has green backlight and gives breathing indication. When the power supply button backlight turns green and is always on, the calibration ends.</p> |

3. Clean the filter box and HEPA filter screen

After cleaning is completed, take out the cleaner from the swimming pool, press the button at the tail, the upper cover will automatically bounce off, lift the upper cover, take out the filter box, pour out the sundries inside it and rinse the filter box with water.

After the HEPA filter screen is pressed down, it can be ejected obliquely, and then it can be taken out and washed with water.





Dismantle HEPA filter screen

V. Acquisition of mobile App and connection

1. Download the App:

- 1) In case of Android phones, search google play for winnygo, and download it
- 2) In case of iPhone, searches the app store for winnygo, download it

2. Turn on the machine, the machine light is blue and always on

3. Connect the APP with the machine within 20s the machine starting.

4. After the connection is successful, the APP will give a "Success" prompt

5. After entering the APP interface, the parameters of the current machine will be displayed, and users can modify the parameters according to their own demands in cleaning

6. After selecting the parameters, click Confirm

7. After restarting, the machine will execute the corresponding cleaning program according to the preset parameters

Note:

1. When using App, it needs to obtain Bluetooth use permission and location permission of the mobile phone

2. App is suitable for ios14 and above, and Android 8.0 and above.

3. To obtain weather information in APP, you need to turn on Location service.

VI. Packing details

| S/N | Name | Specifications | Quantity (pieces) | Purpose | Remarks |
|-----|----------------------------------|----------------|-------------------|---------|------------------------------------|
| 1 | Main machine body of the cleaner | WY450 | 1 | | Put it directly in the packing box |
| 2 | Power supply | POWER I-170 | 1 | | |
| 3 | Cable | 18m | 1 | | |
| 4 | User Manual | | 1 | | |
| 5 | Quick guide manual | | 1 | | |
| 6 | Certificates of conformity | | 1 | | |

LIMITED WARRANTY

WYBOTICS ROBOT, owned by WYBOTICS CO., LTD, makes products at the best quality we can offer. All WYBOT products have been inspected against defects in materials and workmanship prior to leaving factory. WYBOT is happy to offer warranty for the repair or replacement of pool products for two (2) years on motor and PCB from the date of purchase. The provisions of this Limited Warranty only apply to the original purchaser. Please keep your original sales receipt, as this proof of purchase will be required and must accompany warranty claims to WYBOT or its designated agents. This Limited Warranty does not apply without proof of purchase; or should the purchaser modify or repair the product themselves or by unauthorized people; use non-WYBOT parts or accessories with the product; use the product in contravention of the manufacturer's instructions; use improper voltage; abuse the product in any way; or through accident or negligence. This Limited Warranty will not cover consequential damages, including claims for normal wear-and-tea or any Act of God outside the control of WYBOT. Non-manufacturing defects, such as grasses that may grow through the ground cloth and/or pool liner are examples of which WYBOT cannot hold responsible for.

IN NO EVENT SHALL WYBOT, ITS AUTHORIZED AGENTS, RELATED ENTITIES, OR EMPLOYEES BE LIABLE TO THE BUYER OR ANY OTHER PARTY FOR DIRECT OR CONSEQUENTIAL DAMAGES. Some states or countries, or other jurisdictions, do not allow the exclusion or limitation of incidental or consequential damages, so the above limitation or exclusion may not apply to you.

This Limited Warranty is not extended to close-outs, factory seconds, or resold products (i.e., garage sales, online auctions, or online retailers not purchased directly from WYBOT). Any issue with items purchased from these types of vendors/sellers will need to be addressed through these stores.



РУКОВОДСТВО ПОЛЬЗОВАТЕЛЯ РОБОТ-ПЫЛЕСОС ДЛЯ БАССЕЙНОВ WY450

**ПРОЧИТЕ И СОХРАНИТЕ ДАННУЮ ИНСТРУКЦИЮ ДЛЯ
ДАЛЬНЕЙШЕГО ИСПОЛЬЗОВАНИЯ**

Благодарим вас за покупку робота-пылесоса WYBOT. Если у вас возникли вопросы или проблемы, пожалуйста, свяжитесь с нашей службой поддержки.



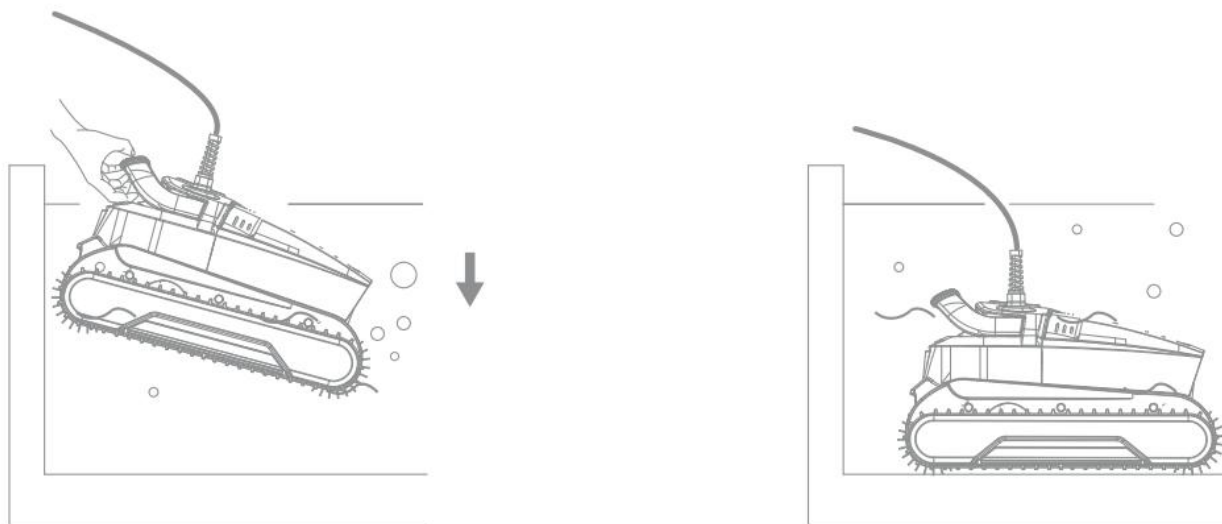
Важные советы:

- 1. При извлечении пылесоса из бассейна, пожалуйста, обязательно отключите электропитание, иначе это может легко привести к серьезным повреждениям оборудования.**
- 2. Шнур питания пылесоса должен быть подключен к розетке с устройством защиты от утечки. Запрещается входить в бассейн во время работы пылесоса, чтобы избежать возникновения опасных ситуаций и травм.**
- 3. Опуская пылесос в бассейн или доставая его из бассейна, необходимо держаться за ручку. Не тяните за трос. Перед каждым запуском пылесоса необходимо максимально выпустить воздух, влияющий на его нормальную работу.**
- 4. Перед запуском пылесоса необходимо установить фильтрующий экран и при этом убедиться, что кабель полностью ослаблен, чтобы избежать спутывания кабеля в ходе работы, что негативно скажется на эффективности уборки. В серьезных случаях это может привести к повреждению пылесоса.**
- 5. Своевременно очищайте корзину фильтра после каждого использования, чтобы чрезмерное скопление грязи не повлияло на работу пылесоса.**
- 6. Когда пылесос не используется, храните его в прохладном и проветриваемом помещении. Избегайте попадания прямых солнечных лучей.**
- 7. Во время работы пылесоса блок управления электропитанием должен находиться в тени. Во избежание повреждения внутренних электрических компонентов из-за перегрева ничего не ставьте на блок управления питанием и не накрывайте его.**

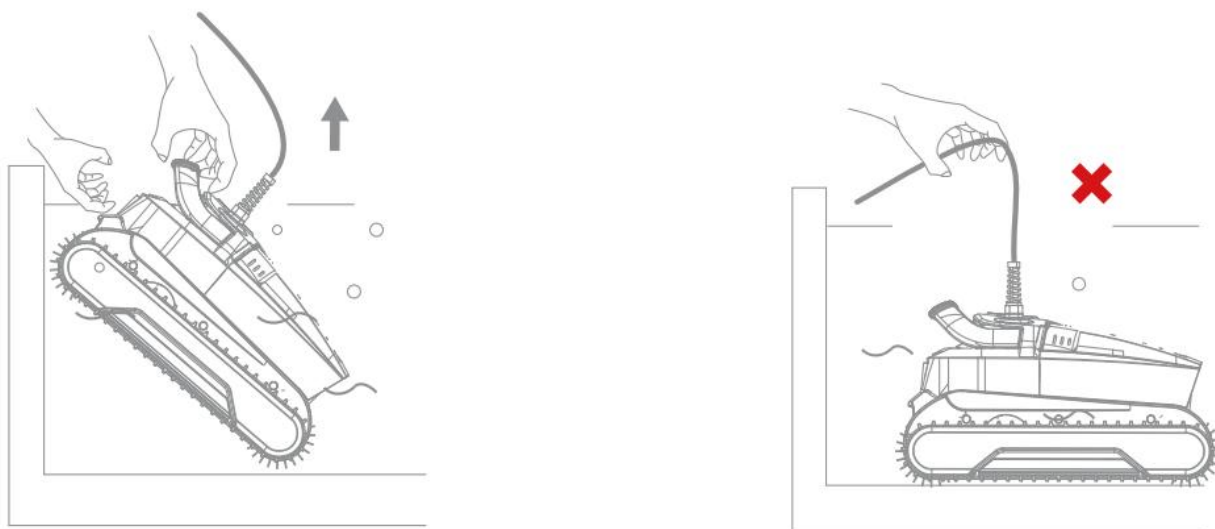
- 8. Неквалифицированному персоналу запрещается самостоятельно разбирать основной корпус пылесоса и блок управления электропитанием во избежание возникновения опасных ситуаций или повреждений пылесоса.**
- 9. Во избежание несчастных случаев рекомендуется перед использованием подключить блок питания к креплениям рядом с бассейном с помощью страховочных тросов.**
- 10. Категорически запрещается использовать данное оборудование с нарушением условий его эксплуатации. Перед использованием внимательно изучите руководство пользователя.**
- 11. Для очистки в разные сезоны можно использовать сетчатые фильтры разной плотности. Пожалуйста, свяжитесь с агентом для приобретения сетчатого фильтра.**
- 12. Убедитесь, что уровень pH воды в бассейне составляет 7,0-7,2.**
- 13. Запрещается помещать в пылесос химикаты для очистки воды, использовать аппарат для распределения химических веществ. Если машина будет повреждена по этой причине, производитель не несет гарантийных обязательств.**

Внимание:

1. При погружении пылесоса в бассейн, его дно должно быть обращено к стенке бассейна, возьмитесь за ручку и опустите пылесос в воду. При этом пылесос начнет выпускать лишний воздух (Необходимо полностью спустить воздух из пылесоса, т. к. это влияет на его работу). Позвольте пылесосу естественным образом опуститься на дно бассейна.



2. При извлечении пылесоса из бассейна можно держаться только за ручку, не тяните за кабель.



Содержание

| | |
|--|---|
| I. Краткое знакомство с продуктом. | 1 |
| II. Техника безопасности | 1 |
| III. Характеристики и параметры..... | 2 |
| IV. Инструкции по применению. | 3 |
| V. Мобильное приложение и подключение..... | 7 |
| VI. Содержимое упаковки. | 8 |

I. Краткое знакомство с продуктом

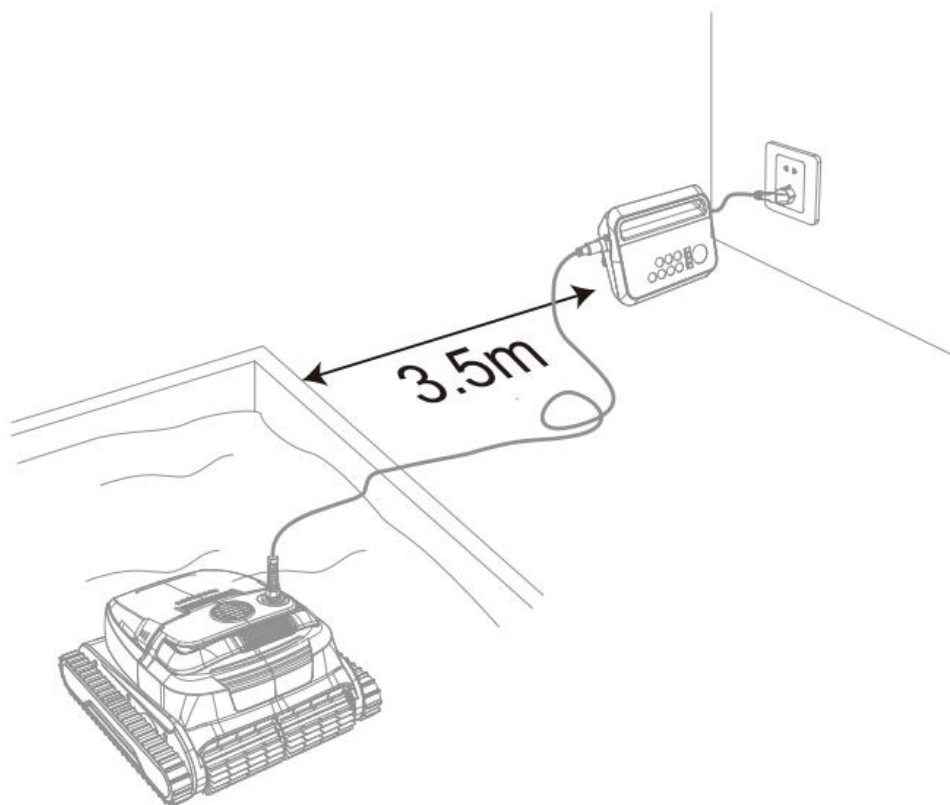
WY450 это высококлассный серийный продукт, который объединяет в себе самые передовые технологии роботов для очистки бассейнов, включая интеграцию датчиков, интеллектуальное планирование пути, самоадаптацию к бассейну, способность преодолевать препятствия, высокоэффективное всасывание грязи и высокоточную фильтрацию, дистанционное управление и функции обновления. Подходит для больших/средних бассейнов. Робот имеет способность к мощному подъему и может свободно работать в бассейнах с покрытием из ПВХ, керамической плитки, цемента и других материалов. Машина оснащена системой привода с тремя двигателями, что позволяет с легкостью разворачиваться для более широкого охвата территории. Пылесос имеет систему вторичной фильтрации, которая может поглощать мельчайшую грязь. Робот оснащен высокоточным гироскопом, инфракрасным датчиком и алгоритмом интеграции нескольких датчиков. Он может обеспечить оптимальное планирование пути в соответствии с формой и размером бассейна для достижения эффективного и качественного эффекта очистки.

Пылесос работает от низковольтного источника питания 28 В пост. тока, обладает высокой безопасностью и надежностью.

Перед использованием данного оборудования, пожалуйста, внимательно ознакомьтесь с руководством пользователя, чтобы вы могли правильно эксплуатировать робот-пылесос.

II. Техника безопасности:

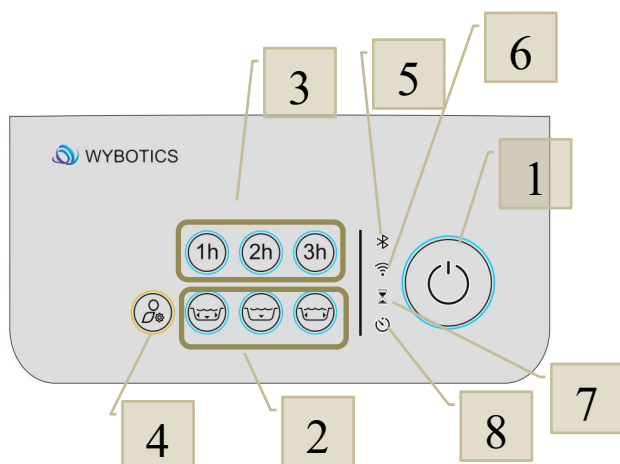
Блок управления электропитанием должен быть расположен в подходящем месте, чтобы пылесос мог добраться до каждого уголка бассейна. При этом расположение блока управления электропитанием должно быть не менее 3,5 метров от краев бассейна.



III. Характеристики и параметры

1. Входное номинальное напряжение: 100~240 В перем. тока
Частота: 50 Гц/60 Гц
Выходное напряжение: 28 В пост. тока
2. Мощность источника питания: МАХ 200 Вт; Мощность машины: 170 Вт
3. Время работы: 1 час / 2 часа / 3 часа
4. Четыре режима работы: , дно бассейна/стены бассейна/весь бассейн/ватерлиния
5. Скорость потока: около 18 м³/час
6. Фильтрационная способность: 180 мкм (нейлон) + 5 мкм (HEPA)
7. Скорость движения: около 13 м/мин
8. Степень водонепроницаемости: пылесос IPX8; блок питания: IP65
9. Приложение для работы
10. Температура рабочей среды: 0~+40°C

IV. Инструкции по эксплуатации



1. Описание кнопок и индикаторов

| № | Описание функций | Описание |
|---|--|--|
| 1 | Кнопка подачи питания с подсветкой | Длительное нажатие кнопки (3 сек): запуск/выкл. Короткое нажатие: (после включения) запуск/остановка. Индикация: Режим ожидания: синий, горит постоянно; Автоматический режим работы: синий, медленно мигает; Ручной режим: зеленый, горит постоянно; Ручное управление: зеленый, медленно мигает; Ватерлиния: желтый, медленно мигает; Неисправность: красный, мигает. |
| 2 | Кнопки режима очистки (все с подсветкой) | Функции кнопок: режим очистки всего бассейна, дна бассейна и стенок бассейна; режим комбинированной очистки и режим очистки ватерлинии должны управляться с помощью приложения; Подсветка кнопок: горит индикатор подсветки соответствующего режима, например, режим очистки всего бассейна, режим очистки дна бассейна и режим очистки стенок бассейна; Комбинированный режим очистки: горит комбинация индикаторов подсветки кнопок режима очистки дна бассейна + режима очистки стенок бассейна; Режим очистки ватерлинии: горит комбинация индикаторов подсветки кнопок режима очистки всего бассейна + режима очистки стенок бассейна; |
| 3 | Кнопки циклов работы (все с подсветкой) | Кнопка цикла 1h, кнопка цикла 2h и кнопка цикла 3h; Подсветка: горит индикатор соответствующей кнопки цикла. |
| 4 | Функциональная кнопка запуска одним нажатием | Длительное нажатие (3 сек): Повторное подключ. к сети; Короткое нажатие: запуск автоматической очистки с помощью кнопки, а режим и время очистки устанавливаются с помощью приложения; функции, которые не установлены во время заводской сборки; |
| 5 | Индикатор состояния | Синий, мигает: состояние передачи данных Bluetooth; |

| | | |
|---|---|--|
| | Bluetooth | Синий, медленно мигает: соединение Bluetooth успешно; Не горит: Bluetooth отключен; |
| 6 | Индикатор состояния Wifi | Зеленый, мигает: Идет подключение к сети. Желтый, мигает: WiFi настроен, но не подключен к маршрутизатору; Желтый, постоянно горит: WiFi настроен и подключен к маршрутизатору; Синий, медленно мигает: успешное подключение к облаку; |
| 7 | Индикатор состояния отложенного запуска | Синий, горит постоянно: установлена отсрочка запуска, но время еще не наступило; Синий, медленно мигает: наступает время отложенного запуска, и начинается автоматическая очистка (режим и время соответствуют последнему режиму и времени в памяти); Не горит: отложенный запуск не установлен; |
| 8 | Индикатор запуска таймера недельного резервирования | Синий, горит постоянно: недельное резервирование установлено, а время запуска еще не наступило; Синий, медленно мигает: наступает время недельного резервирования для запуска, и запускается автоматическая очистка (режим и время соответствуют последнему режиму и времени в памяти); Красный, горит постоянно: календарь не синхронизирован, и настройка недельного резервирования недействительна; Не горит: нет настройки недельного резервирования; Через облако можно сделать отдельные настройки резервирования с понедельника по воскресенье, время с точностью до часов и минут. |

2. Описание особых состояний:

| Состояние индикаторов | | Описание |
|--|--|---|
| Подсветка кнопки питания синяя, медленно мигает | Горит подсветка 3 кнопок режимов +3 кнопок временного режима | Запрос об окончании цикла автоматической работы; поддерживается в этом состоянии в течение 10 минут, затем машина выключается и подсветка автоматически гаснет. |
| Подсветка кнопки питания желтая, медленно мигает | Гаснет подсветка 3 кнопок режимов + подсветка 3 кнопок временного режима | Функция “Автоматическое возвращение на ватерлинию”. Робот автоматически доходит до ватерлинии и останавливается. И машина автоматически выключается после извлечения из бассейна; |
| Подсветка кнопки питания красная, мигает | Комбинация подсветок кнопки 1Н + кнопки очистки всего бассейна | Сбой: двигатель водяного насоса перегружен; |
| | Горит комбинация | Сбой: левый ходовой двигатель перегружен; |

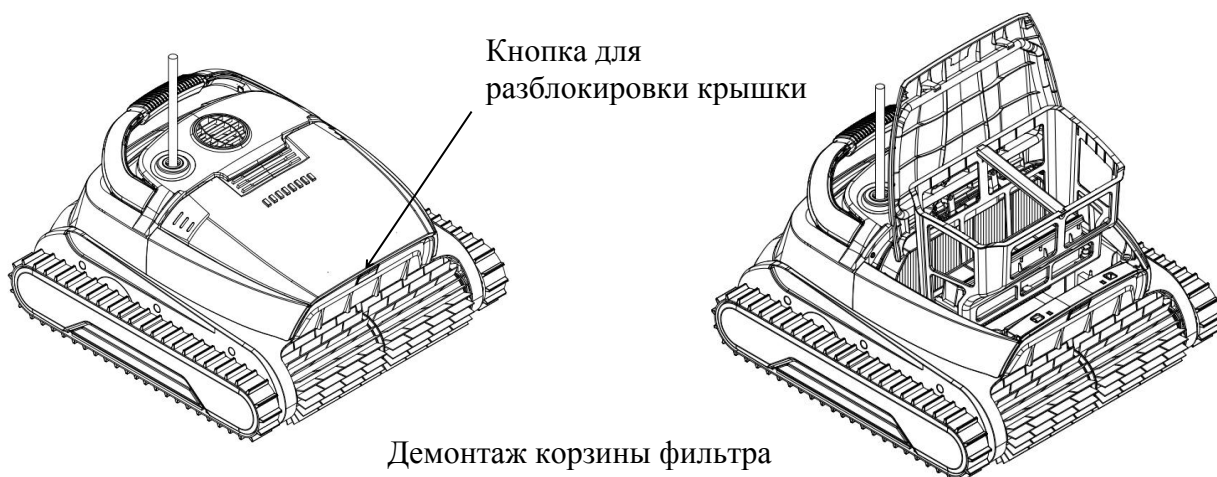
| | | |
|--|--|---|
| | подсветок кнопки 2Н + кнопки очистки дна бассейна | |
| | Горит комбинация подсветок кнопки 3Н + кнопки очистки стен бассейна | Сбой: правый ходовой двигатель перегружен; |
| | Горит комбинация подсветок кнопки 2Н + кнопки 3Н + кнопки очистки дна бассейна + кнопка очистки стен бассейна | Сбой: робот извлечен из воды; |
| | Горит комбинация подсветок 3 кнопок циклов + 3 кнопок режимов очистки | Сбой: блок питания перегружен; |
| Неисправности можно просмотреть через приложение | | |
| Кнопка питания фиолетовая, медленно мигает | Горит комбинация подсветок кнопки 1Н + кнопки очистки бассейна + кнопки очистки дна бассейна + кнопки очистки стен | В настоящее время проводится обновление подводного оборудования по технологии ОТА. Перед обновлением необходимо заранее подключить подводный аппарат и включить питание в режиме ожидания |
| Не имеет значения | Горит комбинация подсветок 3 кнопок цикла + 3 кнопок режима очистки + кнопка функции запуска одним нажатием | Выполняется обновление блока питания по ОТА |
| Зеленый, медленно мигает | Включена только кнопка цикла 1Н | Выполняется калибровка датчика гироскопа подводного аппарата; |

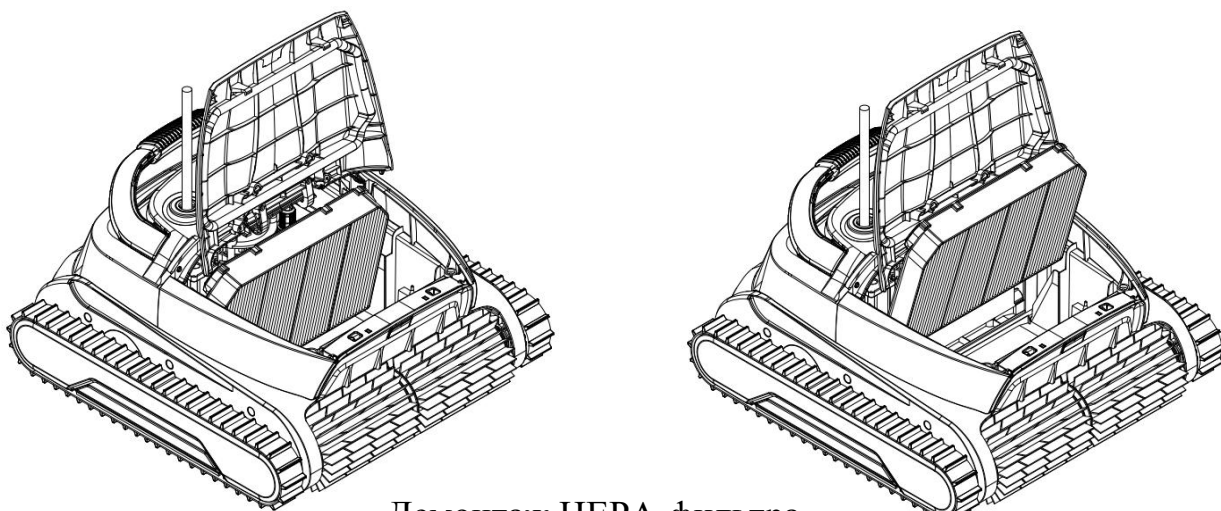
| | | |
|--|--|---|
| | | <p>Описание: Робот-пылесос необходимо разместить у бассейна, кабель пылесоса подключить к источнику питания, одновременно нажать кнопку питания + кнопку цикла 1Н удерживать более 3сек, при этом раздастся звуковой сигнал, пылесос перейдет в состояние калибровки. Подсветка кнопки питания зеленого цвета и медленно мигает. Когда подсветка кнопки питания зеленая и горит постоянно, процесс калибровки заканчивается.</p> |
| | <p>Включена только кнопка цикла 2Н</p> | <p>Выполняется калибровка датчика глубины подводного оборудования;</p> <p>Описание: Робот-пылесос необходимо разместить у бассейна, кабель пылесоса подключить к источнику питания, одновременно нажать кнопку питания + кнопку цикла 2Н удерживать более 3сек, при этом раздастся звуковой сигнал, пылесос перейдет в состояние калибровки. Подсветка кнопки питания зеленого цвета и медленно мигает. Когда подсветка кнопки питания зеленая и горит постоянно, процесс калибровки заканчивается.</p> |

3. Очистка корзины фильтра и HEPA-фильтра

После завершения уборки достаньте пылесос из бассейна, нажмите кнопку в задней части, верхняя крышка автоматически отщелкнется, поднимите верхнюю крышку, достаньте корзину фильтра, удалите ее содержимое и ополосните фильтр водой.

Нажав на экран HEPA-фильтра, вы сможете его вынуть и промыть водой.





Демонтаж HEPA-фильтра

V. Мобильное приложение и подключение

1. Скачайте приложение:

- 1) Для смартфонов на базе Android найдите в Google Play программу winnygo, скачайте ее;
- 2) В случае iPhone, найдите в APP STORE программу winnygo, скачайте ее.

2. Включите робот-пылесос, загорится индикатор синиего цвета.

3. Подключение устройства к приложению в течение 20 секунд после запуска.

4. После успешного подключения приложение выдаст сообщение “Success” (Успех).

5. После входа в интерфейс приложения, параметры данного робота-пылесоса будут отображены, и пользователи смогут вносить изменения в соответствии со своими требованиями к уборке.

6. После выбора параметров нажмите “Confirm” (Подтвердить).

7. После перезапуска робот выполняет программу очистки в соответствии с заданными параметрами.

Примечание:

1. При использовании приложения необходимо одобрить использование Bluetooth и дать разрешение на определение местоположения мобильного телефона.

2. Приложение подходит для ios14 и выше и Android 8.0 и выше.

3. Для получения информации о погоде в приложении необходимо включить услугу определения местоположения.

VI. Содержимое упаковки

| № | Наименование | Спецификации | Количество (шт.) | Назначение | Заметки |
|---|-------------------------------------|--------------|------------------|------------|---------------------------------------|
| 1 | Робот-пылесос | WY450 | 1 | | Непосредственно в упаковочной коробке |
| 2 | Блок питания | POWER I-170 | 1 | | |
| 3 | Кабель | 18м | 1 | | |
| 4 | Руководство пользователя | | 1 | | |
| 5 | Краткое руководство по эксплуатации | | 1 | | |
| 6 | Сертификаты соответствия | | 1 | | |

ОГРАНИЧЕННАЯ ГАРАНТИЯ

WYBOTICS ROBOT, принадлежащий компании WYBOTICS CO., LTD, производит продукцию самого лучшего качества, которое мы можем предложить. Вся продукция WYBOT проверяется на отсутствие дефектов материалов и изготовления до выхода с завода. WYBOT рад предложить гарантию на ремонт или замену оборудования для бассейнов в течение двух (2) лет на двигатель и печатную плату с даты покупки. Положения настоящей ограниченной гарантии распространяются только на первоначального покупателя. Пожалуйста, сохраните оригинал товарного чека в качестве доказательства покупки, он должен прилагаться к гарантийным претензиям, направляемым компании WYBOT или ее уполномоченным агентам. Настоящая ограниченная гарантия не действует без подтверждения покупки, а также в случае, если покупатель модифицирует или ремонтирует изделие самостоятельно или с привлечением неуполномоченных лиц; использует с изделием детали или аксессуары, не относящиеся к компании WYBOT; использует изделие с нарушением инструкций производителя; использует неподходящее напряжение; злоупотребляет изделием каким-либо образом; или в результате несчастного случая или халатного отношения. Настоящая ограниченная гарантия не распространяется на косвенные убытки, включая претензии в связи с обычным износом или любым стихийным бедствием, не зависящим от компании WYBOT. Непроизводственные дефекты, такие как растения, прорастающие сквозь облицовку бассейна, являются примерами, за которые компания WYBOT не несет ответственности.

НИ ПРИ КАКИХ ОБСТОЯТЕЛЬСТВАХ КОМПАНИЯ WYBOT, ЕЕ УПОЛНОМОЧЕННЫЕ АГЕНТЫ, СВЯЗАННЫЕ С НЕЙ ОРГАНИЗАЦИИ ИЛИ СОТРУДНИКИ НЕ НЕСУТ ОТВЕТСТВЕННОСТИ ПЕРЕД ПОКУПАТЕЛЕМ ИЛИ ЛЮБОЙ ДРУГОЙ СТОРОНОЙ ЗА ПРЯМЫЕ ИЛИ КОСВЕННЫЕ УБЫТКИ. В некоторых штатах, странах или других юрисдикциях не допускается исключение или ограничение случайных или косвенных убытков, поэтому вышеуказанное ограничение или исключение может к вам не относиться.

Настоящая Ограниченная гарантия не распространяется на распродажи, повторные продажи или перепродажу продукции (например, гаражные распродажи, онлайн-аукционы или интернет-магазины, т.е. товары, не приобретенные напрямую у WYBOT). Любая проблема с товарами, приобретенными у этих поставщиков/продавцов, должна решаться через эти магазины.